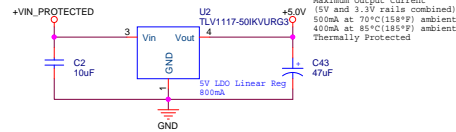


Power Connector
+7V to +12V DC Input

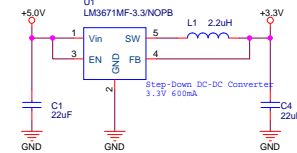
If +VIN exists, all rails driven by +VIN
If +VIN not present, all rails driven by USB Power



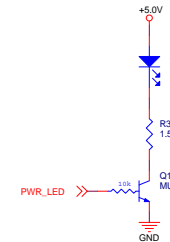
5V LDO Converter



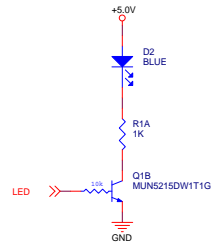
5V to 3.3V DC/DC Buck Regulator



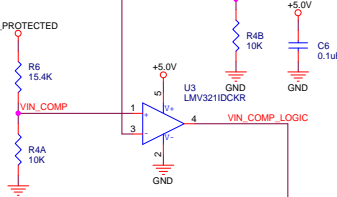
PWR LED



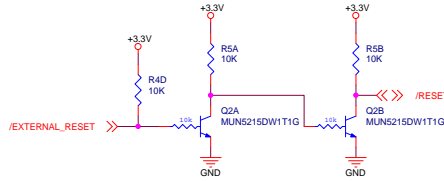
LED



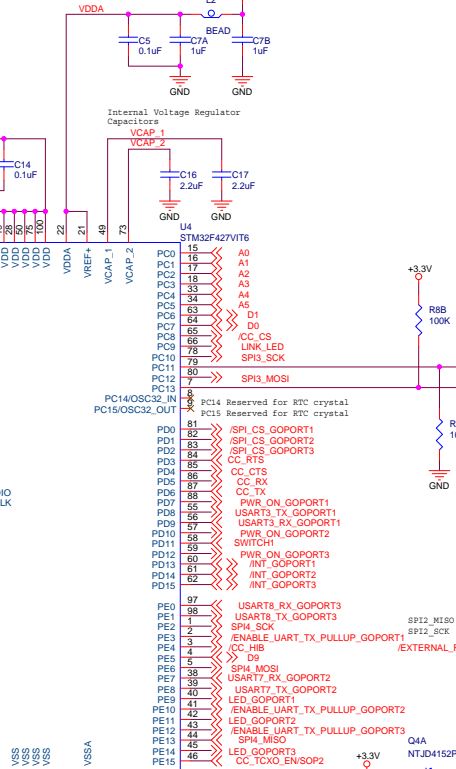
VBUS/VIN Select



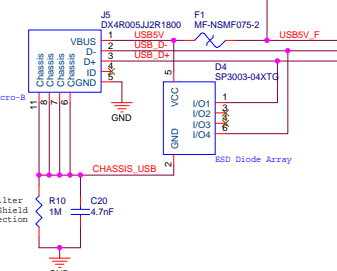
Reset Circuit



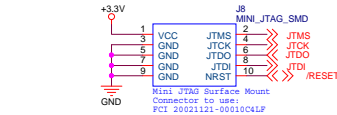
Microcontroller



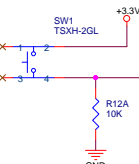
USB Micro-B Connector



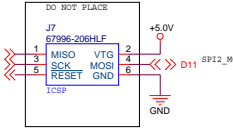
Mini JTAG Connector



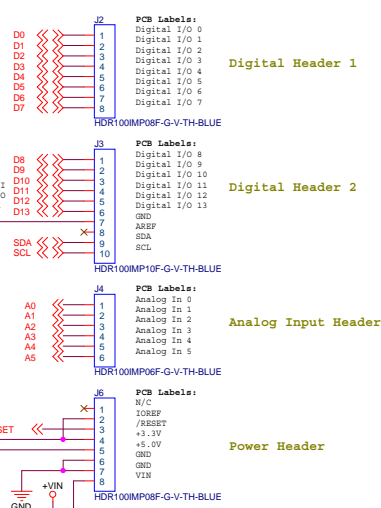
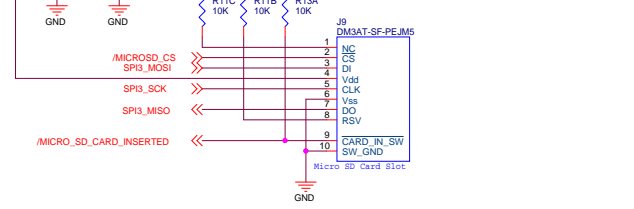
Push Button



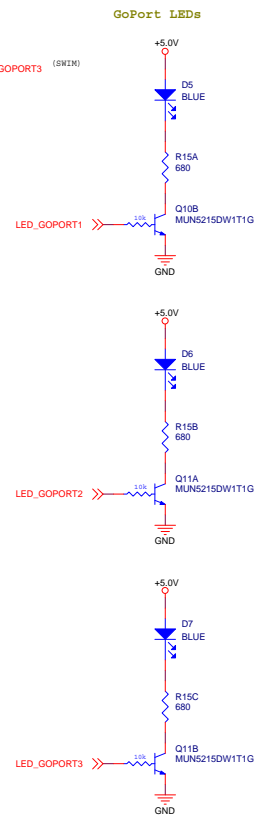
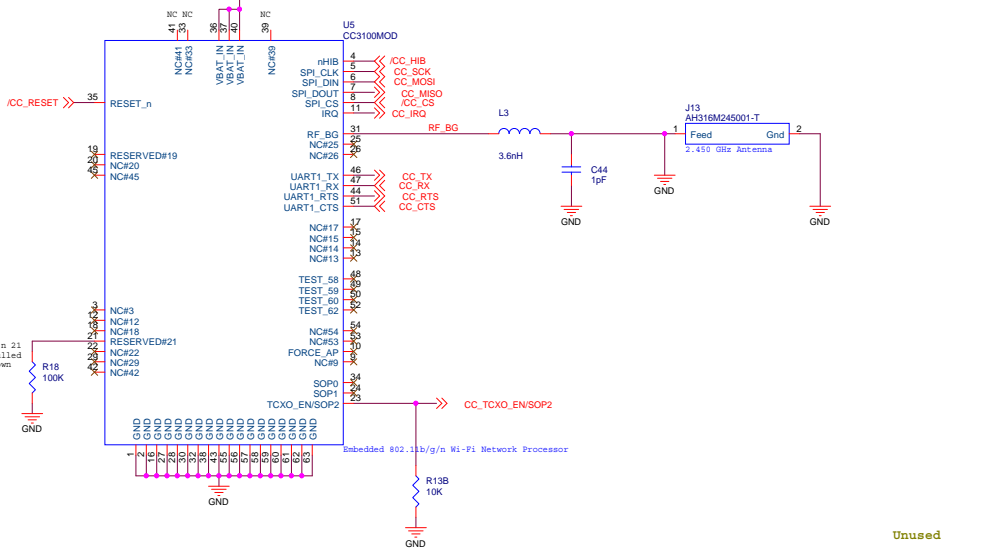
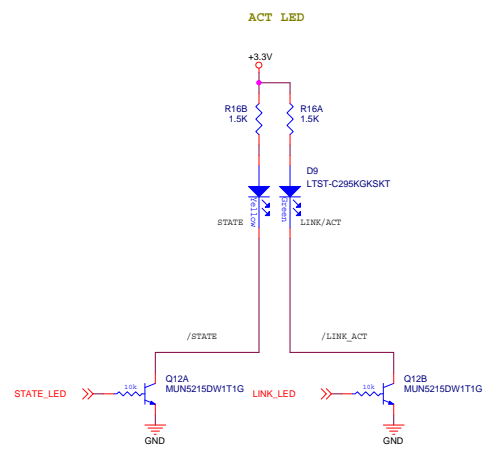
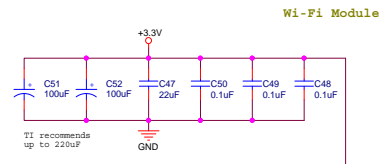
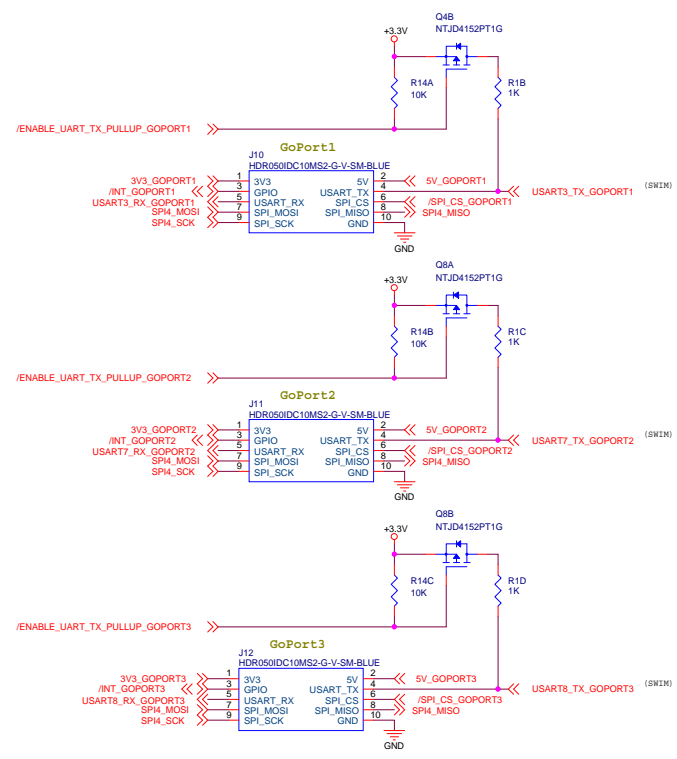
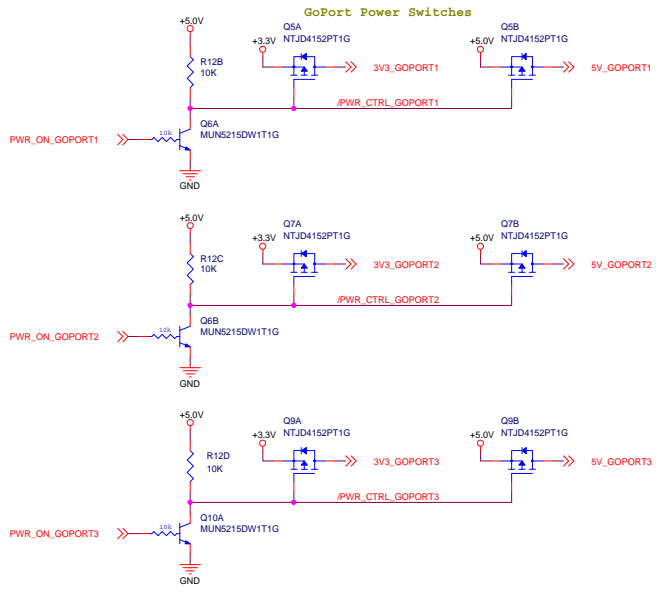
ICSP Connector



Micro SD Card Slot



Title		
Nekduino 3 Wi-Fi		
Size	Document Number	Rev
C	CW0058	A
Date: Wednesday, February 25, 2015		
Sheet		1 of 2



Title		
Nedkuno 3 Wi-Fi		
Size	Document Number	Rev
C	CW0058	A
Date:	Wednesday, February 25, 2015	Sheet 2 of 2